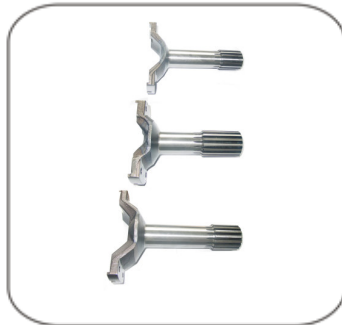




# Hangzhou Dingshun Mechanical CO. LTD



# COMPANY PROFILE



HangZhou DingShun Machanical Co., Ltd. design and manufacture entire drive shafts for Agriculture PTO ,the Heavy Transport, Automotive, Off-Highway, Industrial and Marine markets. Dynamic balancing for all industrial applications and rotating equipment is carried out by our specialist Balancing division.

As an experienced supplier, we always strive to ensure the highest standards in precision components by strictly enforcing quality assurance, as well as develop a quality workforce to source highest quality products at a reasonable cost and ensure on-time delivery to our customers

These parts are Dingshun parts and are not manufactured by the original Equipment manufacturer.

Original Equipment Manufacturers names, part numbers and descriptions are quoted for reference purposes only.

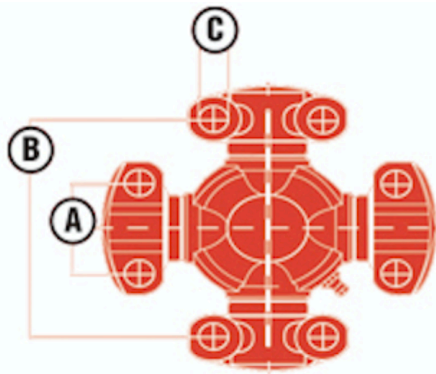
## Table of contents

---

Wing Bearing Universal joint.....	1
Center Yokes (Double Wing Bearing).....	2
Wing Bearing Weld Yokes.....	3
Wing Bearing Spline Yokes/Yoke Shafts.....	17
Wing Bearing Slip Yokes.....	21

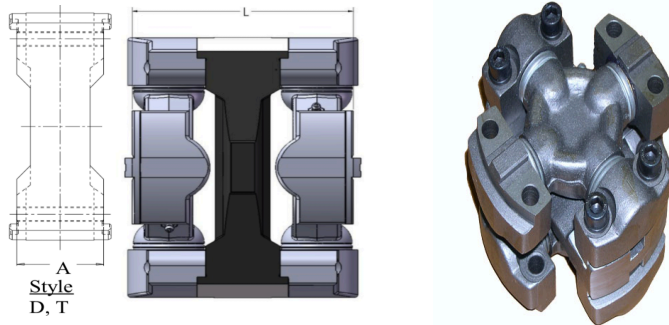
\* Dimensions listed in this catalog are not guaranteed.  
Please contact with [info@cntison.com](mailto:info@cntison.com) in order to make sure  
that part is compatible.

wing bearing universal joint



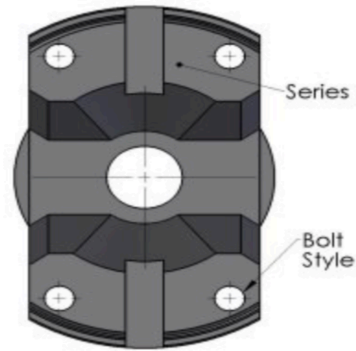
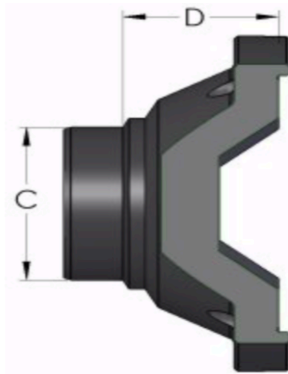
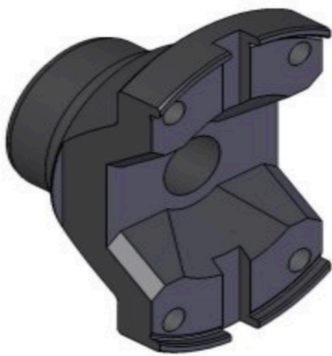
Joint series	A	B	C
4C	36.52mm (1.44 in.)	87.32mm (3.44 in.)	8.75mm (0.34 in.)
5C	42.90mm (1.69 in.)	88.90mm (3.50 in.)	10.50mm (0.41 in.)
6C	42.90mm (1.69 in.)	114.30mm (4.50 in.)	10.50mm (0.41 in.)
7C	49.20mm (1.94 in.)	117.48mm (4.63 in.)	13.50mm (0.53 in.)
8C	49.20mm (1.94 in.)	174.60mm (6.87 in.)	13.50mm (0.53 in.)
8.5C	71.44mm (2.81 in.)	123.83mm (4.88 in.)	13.50mm (0.53 in.)
9C	71.44mm (2.81 in.)	168.25mm (6.62 in.)	13.50mm (0.53 in.)
10C	92.10mm (3.63 in.)	165.10mm (6.50 in.)	17.00mm (0.67 in.)
11C	88.90mm (3.50 in.)	172.70mm (6.80 in.)	20.00mm (0.79 in.)
12C	92.10mm (3.63 in.)	241.35mm (9.50 in.)	15.00mm (0.59 in.)
12.5C	92.00mm (3.62 in.)	227.00mm (8.94 in.)	19.00mm (0.75 in.)
14C	134.88mm (5.31 in.)	270.00mm (10.63 in.)	19.00mm (0.75 in.)
14.5C	107.00mm (4.21 in.)	252.00mm (9.92 in.)	24.00mm (0.94 in.)
15C	99.98mm (3.94 in.)	199.94mm (7.87 in.)	21.00mm (0.83 in.)

Center Yokes (Double Wing Bearing)



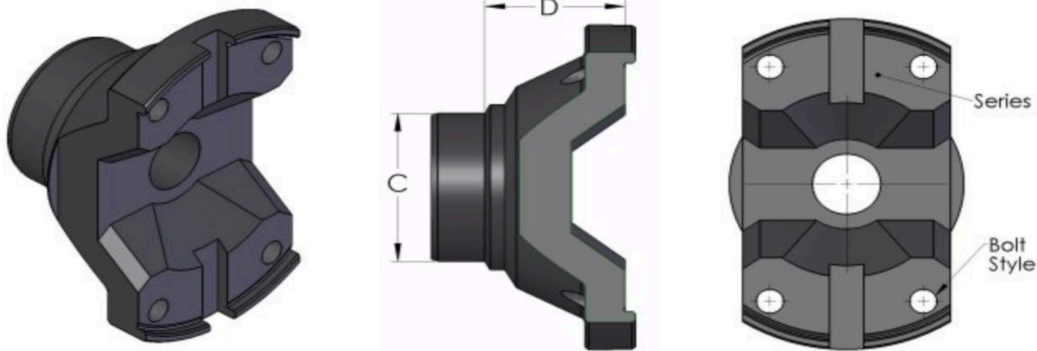
DS Part#	Series	Yoke Length	Style	Part Number
DS-2C-10-5900	2C	0.5	Drilled	2C-10-5900
DS-2C-6601J	2C	0.81	Drilled	2C-6601J
DS-2C-50041J	2C	1.25	Threaded	2C-50041J
DS-2C-60-7690	2C	1.81	Drilled	2C-60-7690
DS-2C-11148J	2C	1.81	Threaded	2C-11148J
DS-2C-10-11020	2C	2.25	Drilled	2C-10-11020
DS-3C-5498J	3C	0.94	Drilled	3C-5498J
DS-3C-59434	3C	1.13	Threaded	3C-59434
DS-3C-10-9940	3C	2.56	Drilled	3C-10-9940
DS-4C-10-4450	4C	0.69	Drilled	4C-10-4450
DS-4C-5565J	4C	0.94	Drilled	4C-5565J
DS-4C-10-12610	4C	1.31	Drilled	4C-10-12610
DS-4C-10-6800	4C	1.31	Threaded	4C-10-6800
DS-4C-10-12600	4C	1.81	Threaded	4C-10-12600
DS-4C-119-23747-1	4C	2.91	Drilled	4C-119-23747-1
DS-6C-5426J	5C	1	Drilled	6C-5426J
DS-5C-5491J	5C	1.38	Drilled	5C-5491J
DS-5C-10-12650	5C	1.38	Threaded	5C-10-12650
DS-5C-119-14187-1	5C	3.36	Drilled	5C-119-14187-1
DS-6C-5567J	6C	1.38	Drilled	6C-5567J
DS-6C-9196J	6C	1.38	Threaded	6C-9196J
DS-6C-10-9790	6C	2.13	Threaded	6C-10-9790
DS-6C-19145J	6C	2.25	Threaded	6C-19145J
DS-6C-119-16985-1	6C	3.94	Drilled	6C-119-16985-1
DS-6C-119-23513-1	6C	4.19	Drilled	6C-119-23513-1
DS-7C-5586J	7C	1.75	Drilled	7C-5586J
DS-7C-10-12620	7C	1.75	Threaded	7C-10-12620
DS-8C-5461J	8C	1.66	Drilled	8C-5461J
DS-8C-82N170	8C	1.75	Threaded	8C-82N170
DS-8.5C-18639J	8.5C	2	Threaded	8.5C-18639J
DS-9C-10500J	9C	1.25	Drilled	9C-10500J
DS-9C-7985J	9C	2	Threaded	9C-7985J
DS-9C-10543J	9C	2.44	Threaded	9C-10543J
DS-8-26-167	9C	2.75	Threaded	8-26-167

Wing Bearing Weld Yokes



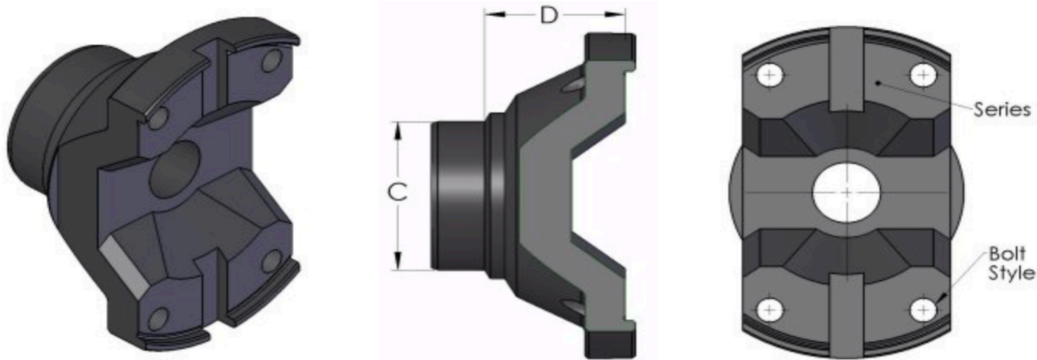
DS Part#	Ref. or similar	Unit series	Radius (R)	Spline (s)	Length (L)
DS.2C-4710J	4710J, 2-65133	2C	2.00-.065	1	Drilled
DS.2C-4710J MOD	4710J MOD	2C	2.00-.134	1	Drilled
DS.3C-3814J	3814J	3C	2.00-.065	1.13	Drilled
DS.3C-3553J	3553J	3C	2.00-.095	1.13	Drilled
DS.3C-13989J	13989J	3C	2.50-.065	1.25	Drilled
DS.3C-19044J	19044J	3C	2.50-.083	1.25	Drilled
DS.3C-29125J	29125J	3C	2.50-.083	1.25	Threaded
DS.4C-4242J	2-65131, 4C-4242J	4C	2.00-.109	1.25	Drilled
DS.4C-3630J	3630J	4C	2.50-.083	1.25	Drilled
DS.4C-11294J	4C-11294J, 2-65197	4C	2.50-.083	1.25	Threaded
DS.4C-3630 MOD	4C-3630 MOD, 4C-6262J	4C	2.50-.109	1.25	Drilled
DS.58WBY53-1	58WBY53-1	5.8C	3.50-.095	1.81	Drilled
58WBY53-9	58WBY53-9	5.8C	3.50-.095	2.06	Threaded
DS.5C-3536J, 2-65119	5C-3536J, 2-65119	5C	2.50-.095	1.13	Drilled
DS.5C-5166J	5C-5166J	5C	2.50-.109	1.13	Drilled
DS.5C-10186J	10186J, 2-65188	5C	2.50-.109	1.88	Threaded
DS.5C-10186J MOD	10186J MOD	5C	2.50-.109	1.13	Threaded
DS.6C-9668J MOD	9668J MOD	6C		1.88	Threaded
DS.6C-552883B	552883B, 9668J MOD	6C	3.00-.095	1.88 F2E	Drilled
DS-6C-3669J	PS-6C-3669J	6C	3.00-.095	1.88	Drilled
DS.-6C-9668J	2-65182, -6C-9668J	6C	3.00-.095	1.88	Threaded
DS.6C-9668J	9668J	6C	3.00-.095	1.88	Threaded
DS.6C-5140J	5140J	6C	3.00-.120	1.88	Drilled
DS.6C-62NY44-1	6C-62NY44-1	6C	3.00-.120	1.88	Threaded
DS.6C-65-8440	6C-65-8440	6C	3.00-.187	1.9	Drilled
DS.6C-16542J	6C-16542J	6C	3.00-.188	1.88	Threaded
DS.6C-22274J	6C-22274J	6C	3.50-.095	1.88	Threaded

Wing Bearing Weld Yokes



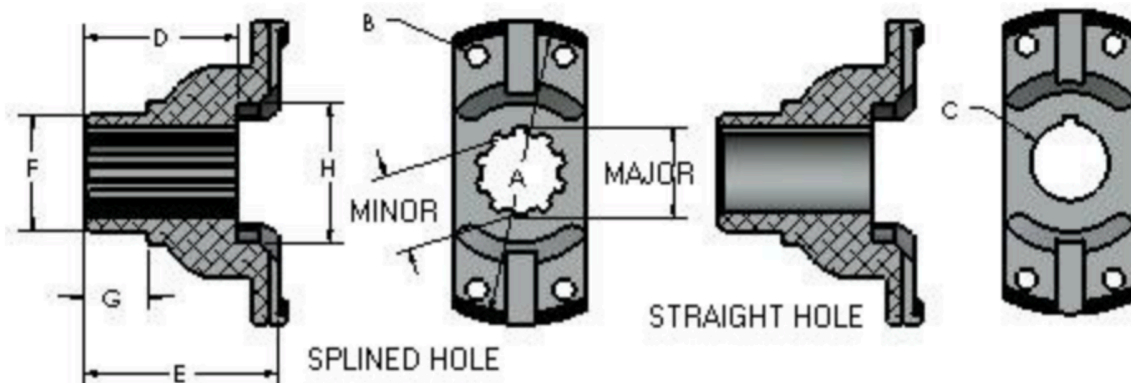
DS Part#	Ref. or similar	Joint series	Radius (R)	Spline (s)	Length (L)
DS.6C-9138J	PS-6C-9138J	6C	3.50-.095	1.88	Drilled
DS.6C-25478J	25478J	6C	3.50-156	1.875	Drilled
DS.6C-9135J	6C-9135J	6C	4.00-.083	1.87	Drilled
DS.6C.28608J	28608J	6C	4.00-.083	1.88	Threaded
DS7C.13922J MOD	13922J MOD	7C		2.25	Threaded
DS.7C-65-8240	65-8240	7C	3.00-.120	1.75	Drilled
DS.7C-72NY44	72NY44	7C	3.00-.120	2.69	Threaded
DS.72NY43 MOD	72NY43 MOD	7C	3.00-.156	2.125 F2E	Drilled
DS.72NY51-4	72NY51-4	7C	3.00-.156	3	Drilled
DS.7C-72NY53	7C-72NY53, 7C-8655J	7C	3.50-.095	2.12	Drilled
DS.72NY53-1	10818J, 72NY53-1	7C	3.50-.095	2.13	Threaded
DS.7C-28-00001	7C-28-00001	7C	3.50-.120	1.75 W2E	Threaded
DS.7C-13922J	7C-13922J, 2-65230, 24918J	7C	3.50-.120	2.12	Threaded
DS.72NY52-32	72NY52-32	7C	3.50-.120	3	Drilled
DS.7C-72NY52-5	7C-72NY52-5	7C	3.50-.120	3	Threaded
DS.7C-28-00011	72NY52-20, 7C-28-00011	7C	3.50-.134	2.12	Threaded
DS.7C-65-8770	7C-65-8770	7C	3.50-.134	2.12	Threaded
DS.72NY52-20	72NY52-20, 2-65230 MOD	7C	3.50-.134	2.13	Drilled
DS.7C-72NY52-9	7C-72NY52-9	7C	3.50-.134	3	Drilled
DS.72NY51-1	72NY51-1	7C	3.50-.156	2.12	Threaded
DS.7C-65-14200	2-65230 MOD, 7C-65-14200	7C	3.50-.156	2.125	Threaded
DS.7C-2-65290	2-65290, 22168J	7C	3.50-.188	2.12	Threaded
DS.7C-2-65290 MOD	2-65290 MOD	7C	3.50-.188	2.62 F2E	Threaded
DS.7C-13434J	7C-13434J	7C	4.00-.109	2.12	Drilled
DS.7C-28-4-90D	90 DEGREE, 7C-28-4-90D	7C	4.00-.134	4	Threaded
DS.72NY60-8	72NY60-8	7C	4.00-.134		HIGH ANGLE
DS. 72NY56	SEMI-FINISHED, 72NY56	7C	HUB 3.50	1.75	Threaded

Wing Bearing Weld Yokes



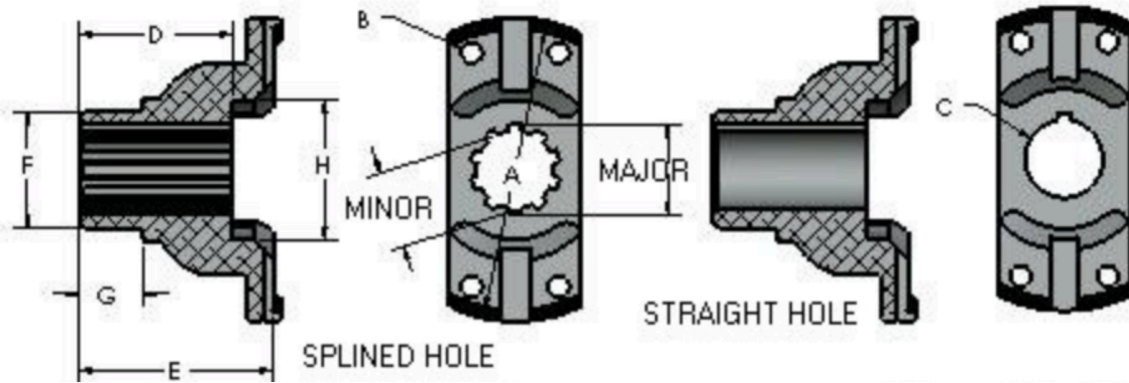
DS Part#	Ref. or similar	Unit series	Radius (R)	Spline (s)	Length (L)
DS.8.5C-85WBY60-13	8.5C-85WBY60-13	8.5C	4.00-.134	1.88	Threaded
DS.8.5C-85WBY60-3	8.5C-85WBY60-3	8.5C	4.00-.134	2.62	Threaded
DS-8.5C-85WBY66	PS-8.5C-85WBY66	8.5C	4.50-.187	2.5	Threaded
DS.85WBY60-8	85WBY60-8	8.5C			
DS.8C-82NY60-1, 2-65163	8C-82NY60-1, 2-65163	8C	4.00-.109	2.43	Drilled
DS. 8C-28-00012	METRIC, 8C-28-00012	8C	4.00-.188	2.69	Threaded
DS.82NY50	82NY50, 12710J	8C	4.00-188	2.69" W2E	Drilled
DS.82NY66-1	82NY66-1	8C	4.50-.188	2.43	Drilled

Wing Bearing End Yokes



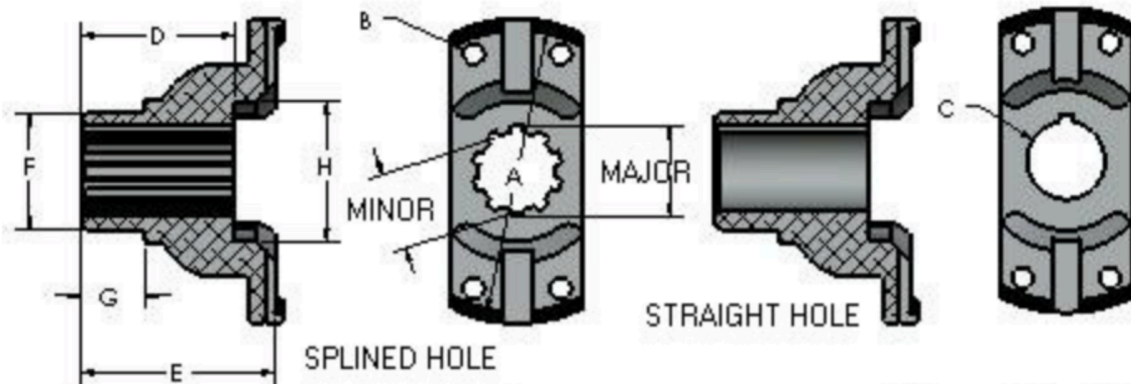
DS PART#	Ref. (Or Similar)	series	Spline Or Bore & Key	Length(L)	Thru (D)	Style	Hub
DS.2C-SFT	2C-SFT	2C	0.50 NO KW	2.83 F2E	2.63	Drilled	
DS.2C-121-2074	121-2074	2C	1.125-10	2.81 F2E	2.38	Drilled	1.63 HUB
DS.2C-7290J	2C-7290J, 2584416, 2930-01-118-2017	2C	1.13-10	1.44 F2E	0.88	Threaded	1.63 HUB
DS.2C-26229J	2C-26229J	2C	1.25 - 1/4 KW	2.06 F2E	1.62	Drilled	
DS.2C-9255J	2C-9255J	2C	1.25 - 1/4 KW	2.67 F2E	2.38	Drilled	
DS.2C-8560J	2-63950, 2C-8560J	2C	1.25 - 5/16 KW	2.06 F2E	1.63	Drilled	2.06 HUB
DS.2C-8093J	2-63924, 2C-8093J	2C	1.25-10	2.69 F2E	1.75	Drilled	2.00 HUB
DS. 2C-64074	13077J, 2-64074	2C	1.25-14	2.69 F2E	1.88	Drilled	1.97 HUB
DS.2C-61-21620	2C-61-21620	2C	1.38 - 5/16 KW	2.17 F2E		Drilled	2.06 HUB
DS.2C-25612J	2C-25612J	2C	1.38-10	2.44 F2E	1.5	Drilled	1.75 HUB
DS.2C-25461J	2C-25461J	2C	1.38-21	2.00 F2E	1.56	Drilled	2.05 HUB
DS.2C-8561J	2C-8561J	2C	1.50 - NO KW	2.06 F2E	1.75	Drilled	2.06 HUB
DS.2C-32422J	2C-32422J	2C	1.50-10	1.75 F2E	1.25	Drilled	2.00 HUB
DS.2C-23352J	2C-23352J	2C	1.58-19	2.12 F2E		Threaded	1.88 HUB
DS.2C-15621JMOD	2C-15621JMOD	2C	28mm - 8mm KW	2.94 F2E		Drilled	2.05 HUB
DS.2C-64121JMOD	2C-64121JMOD	2C	28mm - 8mm KW	2.94 F2E		Drilled	2.05 HUB
DS.3C-SF	3C-SF	3C	0.75 - NO KW	2.90 F2E	2.34	Drilled	2.34 HUB
DS.3C-55603J-1	55603J-1	3C	0.75 - NO KW	3.00 F2E	2.18	Drilled	2.06 HUB
DS.3C-24412J	3C-24412J	3C	0.88-13	2.69 F2E	1.88	Drilled	1.94 HUB
DS.3C-9092168	9092168, 2520-00-679-7928	3C	1.18-10	2.33 F2E	1.44	Drilled	1.75 HUB
DS.3C-23231J	3C-23231J	3C	1.25-10	2.77 F2E	1.88	Drilled	1.75 HUB
DS.3C-121-3098	3C-121-3098, 3-71715	3C	1.25-14	2.31 F2E	1.33	Threaded	1.75 HUB
DS.3C-2584192	2584192, 2530-00-450-1611	3C	1.25-14	2.31 F2E		Threaded	
DS.3C-28160J	3C-28160J	3C	1.25-14	2.81 F2E	1.94	Threaded	2.12 HUB

Wing Bearing End Yokes



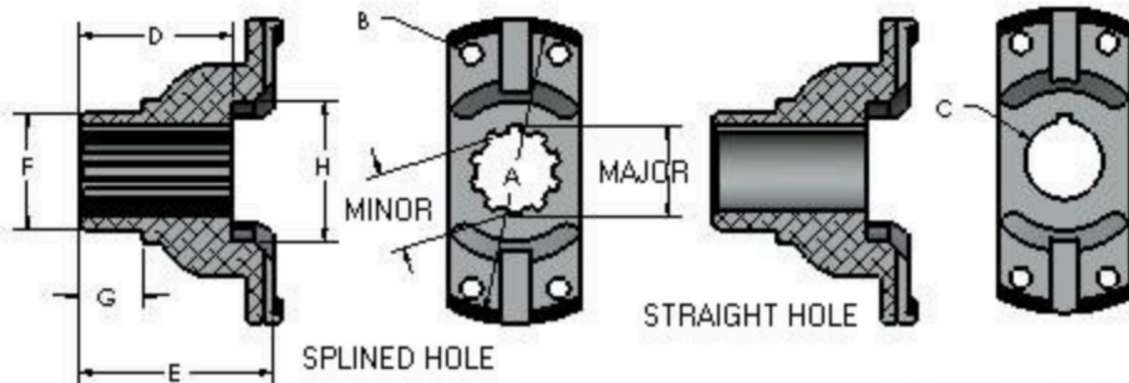
DS PART#	Ref. (Or Similar)	series	Spine Or Bore & Key	Length(L)	Thru (D)	Style	Hub
DS.3C-7306J	3C-7306J	3C	1.25-6	2.84 F2E	2	Drilled	1.88 HUB
DS.3C-12978J	3C-12978J, 9092169	3C	1.38-10	2.64 F2E	1.45	Drilled	2.00 HUB
DS.3C-9092093	9092093, 2520-00-679-7924	3C	1.38-10	2.64 F2E	2.13	Drilled	2.00 HUB
DS.3C-24729J	3C-24729J	3C	1.38-21	2.08 F2E	1.5	Threaded	1.88 HUB
DS.3C-61-16240	3C-61-16240	3C	1.50-17	2.38 F2E	1.63	Drilled	2.00 HUB
DS.3C-121-3087	121-3087	3C	1.50-17	2.73 F2E	2.41	Threaded	1.88 HUB
DS.4C-SF	4C-SF	4C	0.75 - NO KW	3.72 F2E	2.88	Drilled	3.00 HUB
DS.4C-2-64198	20266J, 2-64198	4C	1.25-14	1.44 F2E	1.25	Drilled	2.50 HUB
DS.4C-2-64448	2-64448	4C	1.25-14	3.31 F2E	2.25	Threaded	2.25 HUB
DS.4C-3782J	4C-3782J	4C	1.37 TAPER - 3/8 KW	2.91 F2E	2	Drilled	2.25 HUB
DS.4C-13902J	4C-13902J	4C	1.37-10	2.28 F2E	1.38	Threaded	2.13 HUB
DS.4C-27748J	4C-27748J	4C	1.37-10	2.91 F2E	2	Drilled	2.13 HUB
DS.4C-61-9670	4C-61-9670	4C	1.37-21	2.94 F2E	2.44	Threaded	1.88 HUB
DS.4C-5175J	5175J	4C	1.38 TAPER - 3/8 KW	2.97 F2E	2.06	Drilled	2.50 HUB
DS.4C-2-64541	2-64541, 28760J	4C	1.50-10	2.41 F2E	1.5	Drilled	2.13 HUB
DS.4C-61-13080	4C-61-13080	4C	1.50-10	2.91 F2E	2	Drilled	2.13 HUB
DS.4C-4748J	4748J, 3010-01-198-5534	4C	1.50-10	2.91 F2E	2	Drilled	2.25 HUB
DS.4C-7512J	4C-7512J	4C	1.75-10	3.50 F2E		Drilled	2.13 HUB
DS.55874J-1	55874J-1	4C	1.75-10	3.53 F2E	2.28	Drilled	2.25 HUB
DS.4C3-67629	121-4090, 3-67629	4C	1.75-13	2.75 F2E	1.75	Threaded	2.38 HUB
DS.5C-4947J	5C-4947J	5C	1.00 - NO KW	3.19 F2E	2.25	Drilled	2.78 HUB
DS.5C-SFT	5C-SFT	5C	1.00 - NO KW	3.43 F2E	2.69	Drilled	2.81 HUB
DS.5C-4389J	5C-4389J	5C	1.38 TAPER - 3/8 KW	2.94 F2E	2	Drilled	2.25 HUB

Wing Bearing End Yokes



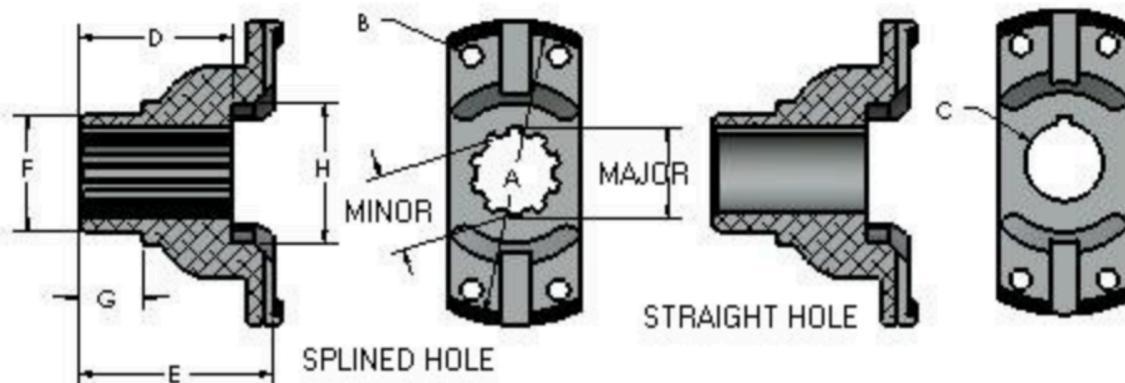
DS PART#	Ref. (Or Similar)	series	Spine Or Bore & Key	Length(L)	Thru (D)	Style	Hub
DS.3612J	3612J	5C	1.38-10	2.94 F2E	2	Drilled	2.00 HUB
DS.5C-61-14630	5C-61-14630	5C	1.38-10	2.94 F2E	2	Threaded	2.13 HUB
DS.5C-61-16410MOD	5C-61-16410MOD	5C	1.38-6	3.00 F2E	2.06	Threaded	2.16 HUB
DS.5C-61-16410MOD	5C-61-16410MOD	5C	1.38-6	3.00 F2E		Threaded	2.75 HUB
DS.5C-2-72290	32050J, 2-72290	5C	1.44-12	2.50 F2E	1.63	Threaded	2.50 HUB
DS.5C-011-133	5-011-133	5C	1.47-19	2.40 F2E	2.12	Threaded	2.50 HUB
DS.5C-3842J	5C-3842J	5C	1.50 TAPER - 9/16 KW	2.94 F2E	2	Drilled	2.50 HUB
DS.5C-8250J	8250J	5C	1.50-10	2.97 F2E	2.03	Drilled	2.25 HUB
DS.5C-61-4794	5C-61-4794	5C	1.50-10	3.44 F2E	2.59	Threaded	1.75 HUB
DS.5C-28051J	28051J	5C	1.50-10	3.47 F2E	2.19	Threaded	2.25 HUB
DS.5C-2584237	23745J, 2584237, 2520-00-169-2901	5C	1.56-23	2.94 F2E	2	Drilled	2.13 HUB
DS.5C-25854JMOD	25854JMOD	5C	1.56-24	2.94 F2E	2	Drilled	2.13 HUB
DS.5C-25854J	25854J	5C	1.56-24	2.94 F2E	2	Threaded	2.13 HUB
DS.5C-15845J	5C-15845J	5C	1.60-15	2.84 F2E	1.75	Threaded	2.13 HUB
DS.5C-7215J	7215J	5C	1.63-10	2.94 F2E		Drilled	2.25 HUB
DS.5C-7862J	7862J	5C	1.63-10	2.94 F2E		Threaded	2.25 HUB
DS.5C-1.75TB	5C-1.75TB	5C	1.75 TAPER - 1/2 KW	3.19 F2E	2.45	Drilled	2.75 HUB
DS.5C-25886J	25886J	5C	1.75 TAPER - 7/16 KW	3.19 F2E	2.25	Drilled	2.75 HUB
DS.5C-2584417	2584417, 25364J, 2520-00-224-1796	5C	1.75-10	3.13 F2E	2.19	Drilled	2.25 HUB
DS.5C-5083J	5083J	5C	1.75-10	3.50 F2E	2.25	Drilled	2.63 HUB
DS.5C-61-23670	5C-61-23670, 5083JMOD	5C	1.75-10	3.50 F2E	2.25	Drilled	2.63 HUB
DS.5C-56815J	56815J	5C	1.75-10	3.50 F2E	2.25	Threaded	2.75 HUB
DS.5C-22910J	22910J	5C	2.00-10	3.19 F2E	2.25	Drilled	2.81 HUB

Wing Bearing End Yokes



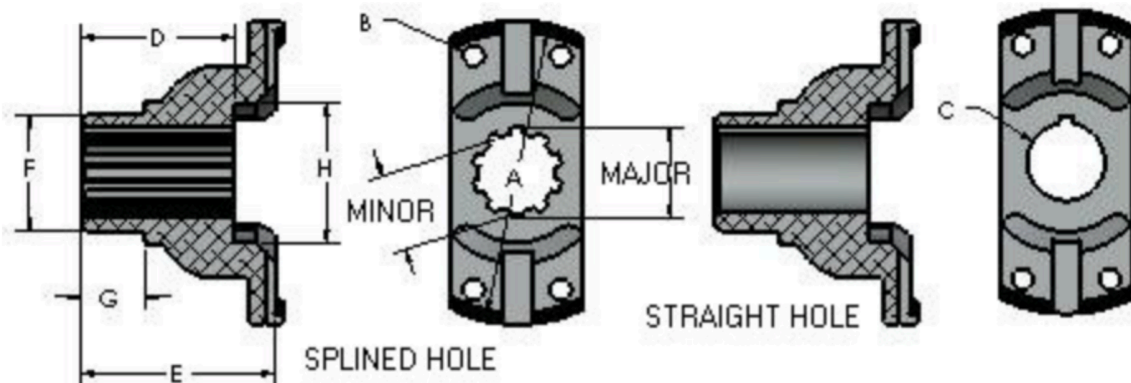
DS PART#	Ref. (Or Similar)	series	Spline Or Bore & Key	Length(L)	Thru (D)	Style	Hub
DS.5C-2-64019	2-64019, 10792J	5C	2.00-15	4.63 F2E	3.53	Threaded	2.88 HUB
DS.6C--SF	6C-SF	6C	1.00 - NO KW	3.53 F2E	2.59	Threaded	3.13 HUB
DS.6C-9142J	9142J	6C	1.50-10	3.06 F2E	2	Drilled	1.94 HUB
DS.6C-61-6850	6C-61-6850	6C	1.50-10	3.06 F2E	2	Drilled	2.50 HUB
DS.6C-2-64311	2-64311	6C	1.50-10	3.06 F2E	2	Threaded	1.94 HUB
DS.6C-2-64150	2-64150	6C	1.50-10	3.06 F2E	2	Threaded	2.13 HUB
DS.6C-61-13630	6C-61-13630	6C	1.50-10	3.44 F2E	2.1	Threaded	2.56 HUB
DS.6C-11998J	11998J	6C	1.50-10	3.47 F2E	2.19	Drilled	2.25 HUB
DS.6C-15805J	214985, 6C-15805J	6C	1.62-15	3.09 F2E	2	Threaded	2.13 HUB
DS.6C-3950J	3950J	6C	1.62-6	3.69 F2E	2.62	Drilled	2.49 HUB
DS.6C-24164J	24164J	6C	1.63-10	3.06 F2E	2.12	Drilled	2.38 HUB
DS.6C-61-22540	6C-61-22540	6C	1.63-10	3.25 F2E		Threaded	2.625 HUB
DS.6C-3597J	6C-3597J	6C	1.75 TAPER - 3/8 KW	3.31 F2E	2.25	Drilled	2.75 HUB
DS.6C-9358J	6C-9358J	6C	1.75-10	2.81 F2E	1.81	Drilled	2.63 HUB
DS.6C-9477J	6C-9477J	6C	1.75-10	3.25 F2E	2.25	Drilled	2.50 HUB
DS.6C-626-1329	6C-626-1329	6C	1.75-10	3.30 F2E	2.13	Threaded	2.36 HUB
DS.62NYS28-26	3595J, 62NYS28-26	6C	1.75-10	3.31 F2E	2.25	Drilled	2.63 HUB
DS.6C-61-6670	6C-61-6670	6C	1.75-10	3.31 F2E	2.25	Drilled	3.00 HUB
DS.6C-2-74177	6000J, 2-74177	6C	1.75-10	3.31 F2E	2.25	Threaded	3.00 HUB
DS.62NYS28-129X	62NYS28-129X	6C	1.75-10	3.34 F2E	2	Threaded	2.75 HUB
DS.6C-11998J	11998J	6C	1.75-10	3.47 F2E		Drilled	2.25 HUB
DS.6C-61-8380	013148-001, 6C-61-8380	6C	1.75-10	3.50 F2E	2.25	Threaded	2.63 HUB
DS.6C-26407J	6C-26407J	6C	1.75-10	3.50 F2E	2.25	Threaded	2.63 HUB

Wing Bearing End Yokes



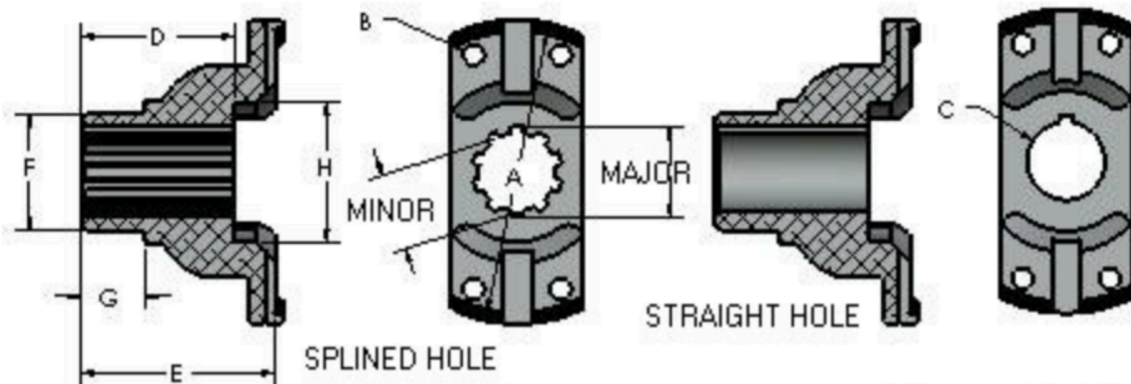
DS PART#	Ref. (Or Similar)	series	Spline Or Bore & Key	Length(L)	Thru (D)	Style	Hub
DS.62NYS-28-31	62NYS-28-31	6C	1.75-10	3.94 F2E		Drilled	
DS.6C-26348J	26348J	6C	1.75-10	3.97 F2E	2.75	Threaded	2.75 HUB
DS.6C-81514	6C-81514	6C	1.75-10	4.00 F2E	2.28	Threaded	2.63 HUB
DS.6C-4-2832	6C-4-2832, 9516J	6C	1.75-10	4.25 F2E	2.38	Threaded	2.63 HUB
DS.6C-61-16220	6C-61-16220	6C	1.75-13	2.88 F2E	1.94	Threaded	2.88 HUB
DS.6C-61-15500	28937J, 2-64557, 6C-61-15500	6C	1.75-13	2.92 F2E	2.44	Threaded	3.08 HUB
DS.6C-121-6084	121-6084	6C	1.75-13	2.92 F2E	2.61	Threaded	3.08 HUB
DS.6C-2-78713	2-78713	6C	1.75-13	3.41 F2E		Threaded	2.38 HUB
DS.6C-28404J	28404J	6C	1.75-27	3.34 F2E	2	Threaded	2.62 HUB
DS.62NYS28-154	62NYS28-154	6C	1.75-34	4.25 F2E	2.5	Drilled	2.50 HUB
DS.62NYS28-155	62NYS28-155	6C	1.75-34	4.25 F2E	2.5	Threaded	2.50 HUB
DS.6C-21531J	21531J	6C	1.77-16	3.62 F2E	2.25	Threaded	2.62 HUB
DS.6C-6774410	6774422, 6C-6774410, 2520-00-015-6676	6C	1.77-27	3.46 F2E	2.7	Threaded	2.16 HUB
DS.6C-7901J	7901J	6C	1.96-6	4.00 F2E		Drilled	2.75 HUB
DS.6C-54206J-1	54206J-1	6C	2.00-10	2.31 F2E	1.38	Drilled	3.88 HUB
DS.62NYS32-16	62NYS32-16	6C	2.00-10	4.25 F2E	3	Threaded	2.94 HUB
DS.6C-27514B	27514B	6C	2.00-10	4.25 F2E	3	Threaded	3.25 HUB
DS.6C-2-64248	2-64248, 22499J	6C	2.00-15	2.88 F2E	2.27	Threaded	2.38 HUB
DS.6C-61-4300	6C-61-4300	6C	2.00-15	3.00 F2E	1.94	Drilled	2.75 HUB
DS.6C-61-17040	6C-61-17040	6C	2.00-15	3.00 F2E	1.94	Drilled	2.76 HUB
DS.6C-62NYS34-9	6C-62NYS34-9	6C	2.15-16	3.50 F2E	2.25	Threaded	2.63 HUB
DS.6C-3-17128	2-17129, 3-17128	6C	2.17-16	2.25 F2E	1.41	Drilled	2.63 HUB
DS.6C-23749J	23749J, 3010-00-432-8495, 2584229	6C	2.23-16	3.38 F2E	2.13	Drilled	2.63 HUB

Wing Bearing End Yokes



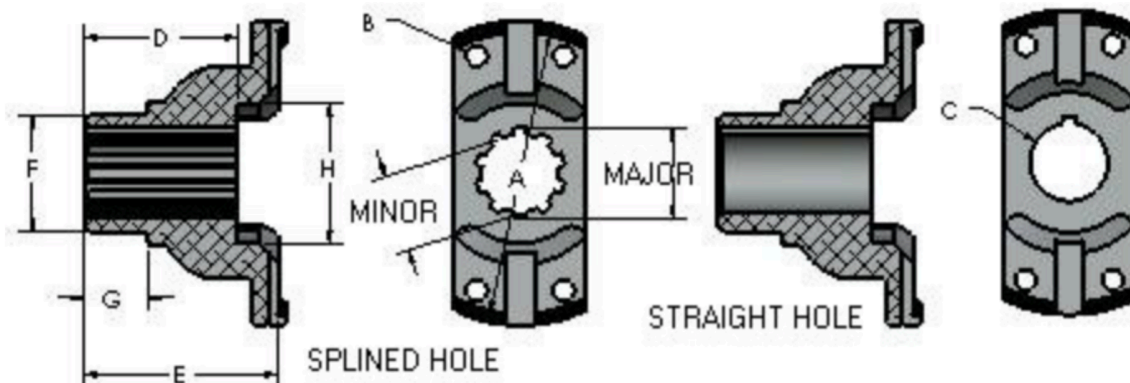
DS PART#	Ref. (Or Similar)	series	Spline Or Bore & Key	Length(L)	Thru (D)	Style	Hub
DS.6C-2-76699	6C-2-76699	6C		3.38 F2E		Threaded	2.63 HUB
DS.6C-SFT	6C-SFT	6C		4.35 F2E		Threaded	4.00 HUB
DS.7C-5051J	7C-5051J	7C	1.75-10	3.50 F2E	2.25	Drilled	2.63 HUB
DS.7C-4949J	7C-4949J	7C	1.25 - NO KW	4.25 F2E	3	Drilled	3.13 HUB
DS.7C-7173J	7C-7173J	7C	1.50-10	2.94 F2E	2	Drilled	2.25 HUB
DS.72NYT26-2	72NYT26-2	7C	1.62 TAPER - 3/8 KW	3.25 F2E	2	Threaded	3.00 HUB
DS.72NYT28-2	72NYT28-2	7C	1.75 TAPER - 7/16 KW	4.19 F2E	2.25	Threaded	3.00 HUB
DS.7C-61-5574	7C-61-5574	7C	1.75-10	3.38 F2E	2.13	Threaded	2.20 HUB
DS.72NYS28-5	72NYS28-5	7C	1.75-10	3.43 F2E		Drilled	2.37 HUB
DS.625-2006	625-2006	7C	1.75-10	3.50 F2E	2.12	Threaded	2.36 HUB
DS.7C-10508J	7C-10508J	7C	1.75-10	3.50 F2E	2.25	Drilled	2.18 HUB
DS.72NYS28-6	72NYS28-6	7C	1.75-10	3.50 F2E	2.25	Drilled	2.75 HUB
DS.7C-61-6220	7C-61-6220	7C	1.75-10	3.50 F2E	2.25	Threaded	2.63 HUB
DS.7C-72NYS28	7C-72NYS28	7C	1.75-10	3.50 F2E	2.25	Threaded	2.63 HUB
DS.7C-61-2440	7C-61-2440	7C	1.75-10	3.50 F2E	2.25	Threaded	2.75 HUB
DS.55857J	7C-55857J	7C	1.75-10	3.56 F2E	2.31	Threaded	3.13 HUB
DS.10945J	10945J	7C	1.75-10	3.75 F2E	2.25	Threaded	2.63 HUB
DS.72NYS28-10	72NYS28-10	7C	1.75-10	4.50 F2E		Drilled	2.75 HUB
DS.7C-28405J	7C28405J	7C	1.75-27	3.22			2.62 HUB
DS.72NYS28-84	28405J, 72NYS28-84	7C	1.75-27	3.31 F2E		Threaded	2.62 HUB
DS.7C-01-027-4313	2520-01-027-4313,6881906	7C	1.75-27	3.46 F2E	2.67	Threaded	2.16 HUB
DS.72NYS28-181 MOD	72NYS28-181 MOD	7C	1.75-34	3.50 F2E	2.25	Drilled	2.94 HUB

Wing Bearing End Yokes



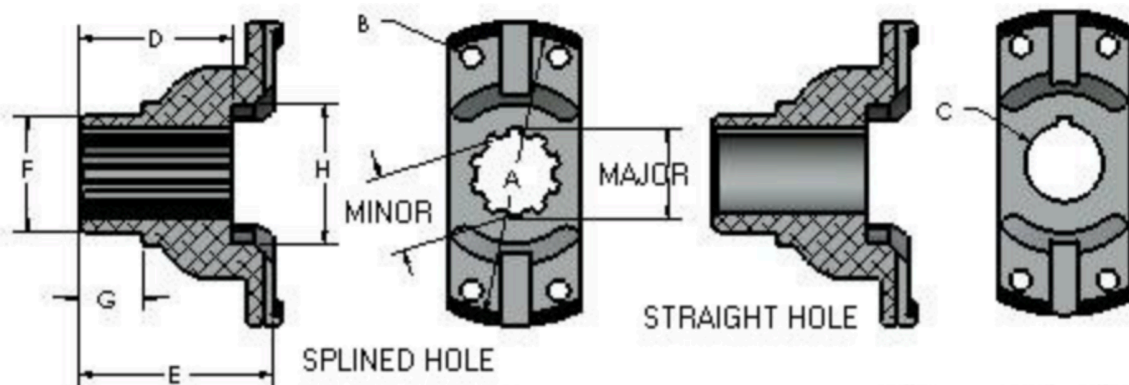
DS PART#	Ref. (Or Similar)	series	Spline Or Bore & Key	Length(L)	Thru (D)	Style	Hub
DS.72NYS28-176	72NYS28-176	7C	1.76-34	3.63 F2E		Threaded	2.50 HUB
DS.72NYS28-177	72NYS28-177	7C	1.77-34	4.69 F2E		Drilled	2.50 HUB
DS.72NYS28-183	72NYS28-183	7C	1.79-34	4.56 F2E	2.44	Drilled	2.62 HUB
DS.72NYS30-2A	72NYS30-2A	7C	1.88-10	3.63 F2E	2.38	Threaded	2.75 HUB
DS.7C-13875J	13875J, 2-64084	7C	1.91-14	3.44 F2E	2.19	Threaded	2.38 HUB
DS.72NYS30-19	72NYS30-19	7C	1.91-14	4.19 F2E	2.75	Drilled	2.75 HUB
DS.7C-20905J	20905J	7C	1.91-14	4.25 F2E	3	Threaded	2.50 HUB
DS.72NYS31-27	72NYS31-27	7C	1.94-10	4.38 F2E	2.25	Drilled	2.63 HUB
DS.72NYS31-83	72NYS31-83	7C	1.94-30	3.31 F2E	2	Threaded	3.13 HUB
DS.72NYS31-93	72NYS31-93, 2520-01-089-5682	7C	1.96-10	3.50 F2E	2.22	Drilled	2.94 HUB
DS.72NYS3-93	72NYS3-93	7C	1.96-10	3.50 F2E	2.22	Drilled	2.94" HUB
DS.72NYS31-2	7C-21033J, 72NYS31-2	7C	1.96-10	3.50 F2E	2.25	Drilled	2.63 HUB
DS.72NYS31-4	72NYS31-4	7C	1.96-10	3.88 F2E	2.63	Threaded	2.75 HUB
DS.7C-24059J	24059J	7C	1.96-10	3.92 F2E	2.57	Threaded	2.75 HUB
DS.7C-29050J	29050J	7C	1.96-10	4.25 F2E	2	Threaded	2.88 HUB
DS.72NYS31-72	72NYS31-72	7C	1.96-10	4.68 F2E		Threaded	2.44 HUB
DS.7C-4-1981	7C-4-1981	7C	1.96-10	4.75 F2E		Drilled	
DS.72NYS31-29	72NYS31-29	7C	1.96-6	4.25 F2E		Drilled	2.75 HUB
DS.7C-61-18860	7C-61-18860	7C	2.00 BORE, 1/2 KW	4.25 F2E	3	Threaded	3.50 HUB
DS.7C-54207J-1	7C-54207J-1	7C	2.00-10	2.25 F2E	1.63	Drilled	3.25 HUB
DS.7C-28647J	28647J	7C	2.00-10	3.50 F2E	2.25	Threaded	2.63 HUB
DS.7C-61-8810	Z5942003, 7C-61-8810	7C	2.00-10	3.94 F2E	2.69	Threaded	3.00 HUB

Wing Bearing End Yokes



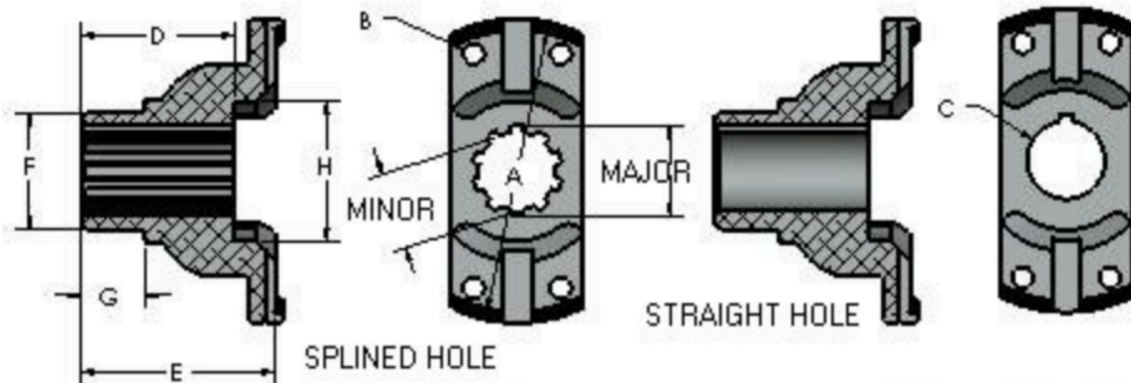
DS PART#	Ref. (Or Similar)	series	Spline Or Bore & Key	Length(L)	Thru (D)	Style	Hub
DS.72NYS32-110	72NYS32-110	7C	2.00-10	4.00 F2E	2.13	Threaded	2.75 HUB
DS.72NYS32-48	72NYS32-48	7C	2.00-10	4.25 F2E	3	Drilled	2.94 HUB
DS.7C-24461J	1003915, 7C-24461J	7C	2.00-10	4.25 F2E	3	Threaded	3.00 HUB
DS.7C-3717B	3717B	7C	2.00-10	4.25 F2E	3	Threaded	3.25 HUB
DS.7C-24461J	24461J	7C	2.00-10	4.25 F2E		Threaded	3.00 HUB
DS.7C-121-7072	121-7072	7C	2.00-15	3.62 F2E	2.57	Threaded	2.75 HUB
DS.7C-2-64343	2-64343, 121-7072	7C	2.00-15	3.62 F2E	2.58	Drilled	2.62 HUB
DS.7C-11940J	11940J	7C	2.00-15	3.88 F2E	2.5	Threaded	2.88 HUB
DS.72NYS32-251	72NYS32-251	7C	2.00-38	3.50 F2E	2.13	Drilled	3.00 HUB
DS.72NYS32-250	72NYS32-250	7C	2.00-38	4.13 F2E		Threaded	2.75 HUB
DS.7C-2-80797 MOD	2-80797 MOD	7C	2.00-39	3.50 F2E	2.33	Threaded	2.63 HUB
DS.72NYS32-222A1	72NYS32-222A1	7C	2.00-39	4.31 F2E	2.44	Drilled	2.75 HUB
DS.7C-2.00-12	7C-2.00-12	7C	2.03-12	3.50 F2E	2.25	Threaded	2.75 HUB
DS.7C-27795J	7C-27795J	7C	2.03-31	3.25 F2E	1.88	Threaded	2.75 HUB
DS.7C-26420J	26420J	7C	2.03-31	3.38 F2E	2.13	Threaded	2.63 HUB
DS.7C-2-80797	2-80797	7C	2.04-39	3.50 F2E	2.33	Threaded	2.63 HUB
DS.72NYS32-219-39	72NYS32-219-39	7C	2.04-39	4.03 F2E	2.78	Drilled	2.75 HUB
DS.72NYS32-247	72NYS32-247	7C	2.04-39	4.56 F2E	2.25	Threaded	2.63 HUB
DS.72NYS34-42MOD	72NYS34-42MOD	7C	2.12-41	4.25 F2E	2.5	Drilled	2.94 HUB
DS.72NYS34-41MOD	72NYS34-41MOD	7C	2.12-41	4.25 F2E	3	Drilled	2.98 HUB
DS.72NYS34-42	72NYS34-42	7C	2.12-41	4.25 F2E		Drilled	3.00 HUB
DS.28107J	28107J	7C	2.15-16	3.38 F2E		Threaded	2.88 HUB

Wing Bearing End Yokes



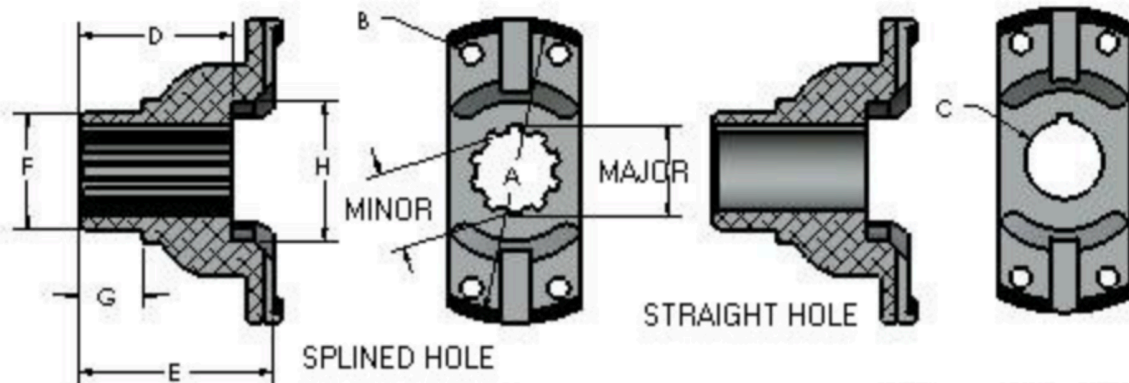
DS PART#	Ref. (Or Similar)	series	Spline Or Bore & Key	Length(L)	Thru (D)	Style	Hub
DS.7C 7347J	7C 7347J	7C	2.15-16	4.25 F2E		Drilled	2.938 HUB
DS.72NYS36-51	72NYS36-51	7C	2.22-6	4.69 F2E		Threaded	3.00 HUB
DS.7C-4-00011	7C-4-00011	7C	2.25 - 5/8 KW	4.63 F2E	3.38	Drilled	3.63 HUB
DS.29039J	29039J	7C	2.25 TAPER - 9/16 KW	4.25 F2E	3	Threaded	3.50 HUB
DS.7C-8627J	7C-8627J	7C	2.25-10	4.25 F2E	3	Drilled	3.50 HUB
DS.7C-21039J	7C-21039J	7C	2.25-10	4.25 F2E	3	Threaded	3.00 HUB
DS.7C-9274J	9274J	7C	2.25-10	4.31 F2E		Drilled	3.00 HUB
DS.7C-26487J	26487J	7C	2.28-17	4.38 F2E	2.47	Threaded	3.00 HUB
DS.7C-2-79851	2-79851	7C	2.36-36	3.44 F2E		Threaded	3.00 HUB
DS.7C-61-14920	7C-61-14920	7C	2.36-36	3.96 F2E	2.72	Drilled	3.35 HUB
DS.72NYS38-15	72NYS38-15	7C	2.38-46	4.38 F2E	2.62	Threaded	3.25 HUB
DS.7C-24638J	24638J	7C	2.50-24	3.50 F2E	2.38	Drilled	3.25 HUB
DS.7C-25248J	25248J	7C	2.81-27	3.75 F2E	2.5	Drilled	3.75 HUB
DS.7C-SFT	7C-SFT	7C	4.50 F2E			Threaded	3.50 HUB
DS.85WBYS30-1	85WBYS30-1	8.5C	1.87-10	4.00 F2E	2.38		2.75 HUB
DS.8.5C-6877J	6877J	8.5C	1.96-10	3.53 F2E		Drilled	2.59 HUB
DS.85WBYS31-8	85WBYS31-8	8.5C	1.96-10	4.13 F2E	2.63	Threaded	2.96 HUB
DS.85WBYS31-6	85WBYS31-6	8.5C	1.97-10	4.31 F2E	3	Threaded	2.44 HUB
DS.85WBYS32-1	85WBYS32-1	8.5C	2.00-10	4.75 F2E	2.56	Threaded	2.94 HUB
DS. 8.5C-61-22070	120994, 8.5C-61-22070	8.5C	2.00-39	3.50 F2E	2.25	Threaded	2.63 HUB
DS.85WBYS32-20	85WBYS32-20	8.5C	2.00-39	4.13 F2E		Threaded	3.00 HUB
DS.2-71529, 29786J	2-71529, 29786J	8.5C	2.33-36	4.75 F2E	3.25	Threaded	3.31 HUB

Wing Bearing End Yokes



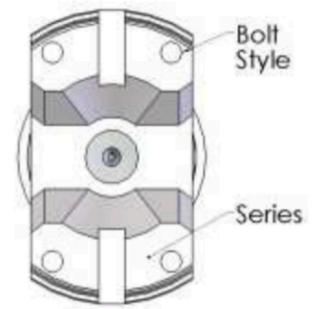
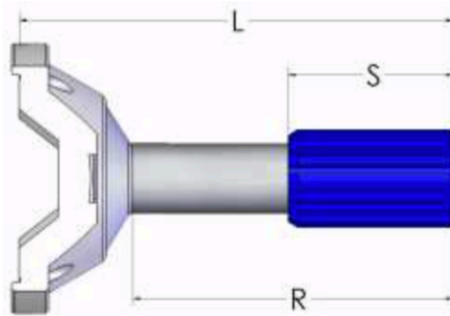
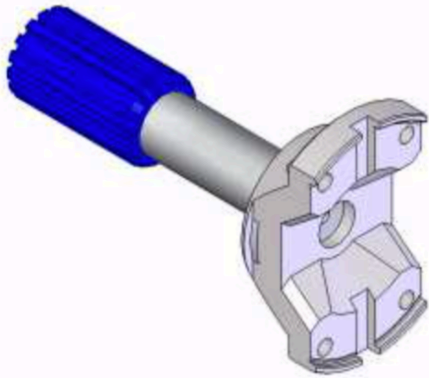
DS PART#	Ref. (Or Similar)	series	Spline Or Bore & Key	Length(L)	Thru (D)	Style	Hub
DS.85WBYS38-17	85WBYS38-17	8.5C	2.35-16	4.38 F2E	2.75	Threaded	2.88 HUB
DS.25680J	25680J	8.5C	2.36-18	4.75 F2E	3.19	Drilled	3.00 HUB
DS.85WBYS38-10	85WBYS38-10	8.5C	2.38-46	4.50 F2E	3.38	Threaded	3.50 HUB
DS.8C-2584443	2584443, 3010-00-450-1969	8.5C	2.99-22	4.14 F2E	2.64	Threaded	3.50 HUB
DS.8C-55608J-1	55608J-1	8C	1.50 BORE	4.88 F2E	3.62	Drilled	3.44 HUB
DS.8C-5292J	5292J	8C	1.75 TAPER - 7/16 KW	3.50 F2E	2.25	Drilled	3.25 HUB
DS.82NYS28-8	82NYS28-8	8C	1.75-10	3.50 F2E	2.25	Drilled	2.75 HUB
DS.82NYS28-4	82NYS28-4	8C	1.75-10	4.06 F2E	2.25	Threaded	2.75P HUB
DS.82NYS28-36	82NYS28-36	8C	1.75-34	3.88 F2E	2.25	Threaded	2.50 HUB
DS.82NYS28-28	82NYS28-28	8C	1.77-16	3.25 F2E	2	Drilled	2.38 HUB
DS.82NYS31-32	82NYS31-32	8C	1.94-30	3.69 F2E	2.38	Drilled	3.00 HUB
DS.8C-25236J	25236J	8C	1.96-10	3.63 F2E		Threaded	2.75 HUB
DS.82NYS31-37	82NYS31-37	8C	1.96-10	4.19 F2E	3	Threaded	2.44 HUB
DS.82NYS31-6	82NYS31-6	8C	1.96-10	4.25 F2E	2.63	Threaded	2.75 HUB
DS.8C-61-15960	8C-61-15960	8C	1.96-10	4.87 F2E	2.25	Threaded	2.63 HUB
DS.8C-61-20010	8C-61-20010	8C	2.00 - 1/2 KW	4.25 F2E		Threaded	3.56 HUB
DS.82NYS32-11	82NYS32-11	8C	2.00-10	3.81 F2E	2.56	Drilled	2.94 HUB
DS.82NYS32,14577J	82NYS32,14577J	8C	2.00-15	3.88 F2E		Drilled	2.88 HUB
DS.82NYS32-31	82NYS32-31	8C	2.00-15	4.19 F2E	3.06	Drilled	2.63 HUB
DS.82NYS32-70	82NYS32-70	8C	2.00-39	3.88 F2E	2.44	Threaded	2.75 HUB
DS.82NYS32-71A	82NYS32-71A	8C	2.03-39	3.94 F2E		Threaded	2.81 HUB
DS.82NYS34-20	82NYS34-20	8C	2.15-16	4.312 F2E		Drilled	2.94 HUB

Wing Bearing End Yokes



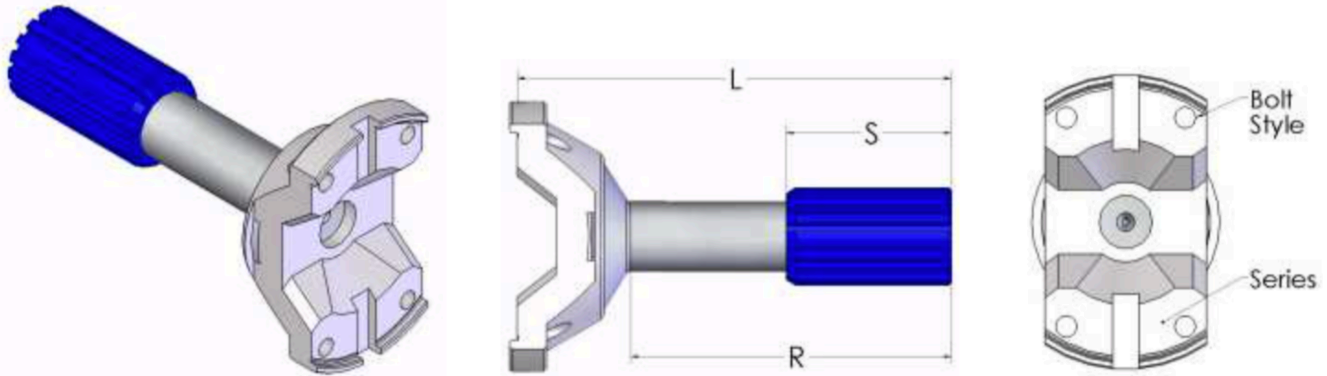
DS PART#	Ref. (Or Similar)	series	Spline Or Bore & Key	Length(L)	Thru (D)	Style	Hub
DS.82NYS36-30	82NYS36-30	8C	2.25-10	4.75 F2E	3	Drilled	3.00 HUB
DS.8C-2-73843	2-73843	8C	2.36-18	4.31 F2E	3.38	Threaded	3.50 HUB
DS.82NYS38-15	82NYS38-15	8C	2.38-46	4.63 F2E		Threaded	3.25 HUB
DS.82NYS38-33	82NYS38-33	8C	2.38-46	4.75 F2E	3.2	Drilled	3.38 HUB
DS.82NYS40-71	82NYS40-71	8C	2.50-10	4.06 F2E	2.41	Threaded	3.50 HUB
DS.20440J	20440J	8C	2.50-10	4.25 F2E	3	Drilled	3.75 HUB
DS.82NYS40-28	82NYS40-28	8C	2.50-10	4.75 F2E	3	Drilled	2.94 HUB
DS.8C-82NYS40-26	8C-82NYS40-26	8C	2.54-19 INV	4.59 F2E		Threaded	3.13 HUB
DS.8C-25841J	8C-25841J	8C	2.54-19	3.62 F2E	2.34	Threaded	3.25 HUB
DS.8C-121-8035	3579J, 8C-121-8035	8C		3.62 F2E		Threaded	3.25 HUB

wing bearing spline yoke/yoke shaft



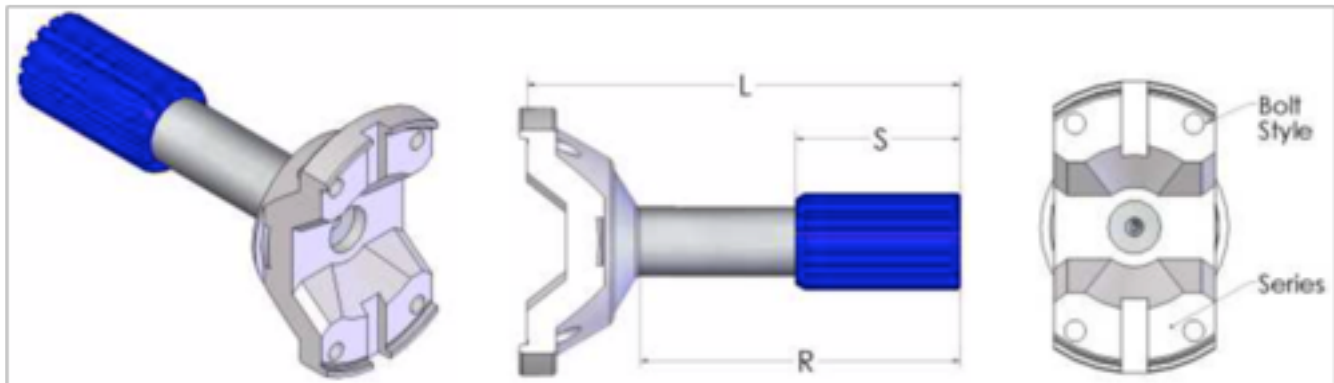
DS Part#	Ref. or similar	Joint series	Radius (R)	Spline (s)	Length (L)
DS-2C-68-7310	2C-68-7310	2C	2.078	0.984	3.07
DS-2C-9568J	2C-9568J	2C	3.125	1.875	3.75
DS-2C-4733J	2C-4733J	2C	2.156	1.218	2.969
DS-2C-68-4558	2C-68-4558	2C	3.094	1.75	3.625
DS-2C-68-8660	2C-68-8660	2C	4.531	2.125	5.42
DS-2C-68-1240-2	2C-68-1240-2	2C	2.469	1.125	3
DS-2C-28K-124	2C-28K-124	2C	3.125	2.063	3.625
DS-2C-13630J	2C-13630J	2C	3.281	2.063	3.625
DS-3C-6247J	3C-6247J	3C	2.875	1.75	4.063
DS-3C-13613	3C-13613	3C	2.5	2.625	4.198
DS-4C-48K-012	4C-48K-012	4C	2.844	1.75	3.375
DS-4C-68-3080	4C-68-3080	4C	3.313	2.125	3.719
DS-4C-48K-140	4C-48K-140	4C	3.281	2.063	4.375
DS-4C-48K-130	4C-48K-130	4C	3.281	2.063	4.875
DS-4C-5326J	4C-5326J	4C	3.344	2.125	4.719
DS-4C-48K-150	4C-48K-150	4C	3.375	2.125	4.719
DS-4C-9013J	4C-9013J	4C	3.813	2.375	5.063
DS-4C-68-9620	4C-68-9620	4C	4.91	1.75	6.313
DS-4C-13373J	4C-13373J	4C	5.19	2.5	6.594
DS-4C-68-9870	4C-68-9870	4C	5.438	2	6.875
DS-4C-043-1010B	4C-043-1010B	4C	5.938	2.5	7.375
DS-4C-68-12870	4C-68-12870	4C	4.625	4.625	6.625
DS-5C-68-6170	5C-68-6170	5C	2.188	2.188	3.375
DS-5C-68-7140	5C-68-7140	5C	3.063	1.625	4.375
DS-5C-68-2560	5C-68-2560	5C	3.313	1.875	4.625
DS-5C-5560J	5C-5560J	5C	4.031	2.25	5.313
DS-5C-68-7810	5C-68-7810	5C	5.844	3	7.75
DS-5C-68-9140	5C-68-9140	5C	3.313	1.875	4.625
DS-5C-68-5660	5C-68-5660	5C	4.031	2.25	5.313
DS-5C-68-12160	5C-68-12160	5C	5.75	3	7.125
DS-5C-68-13280	5C-68-13280	5C	5.375	3	7.375

wing bearing spline yoke/yoke shaft



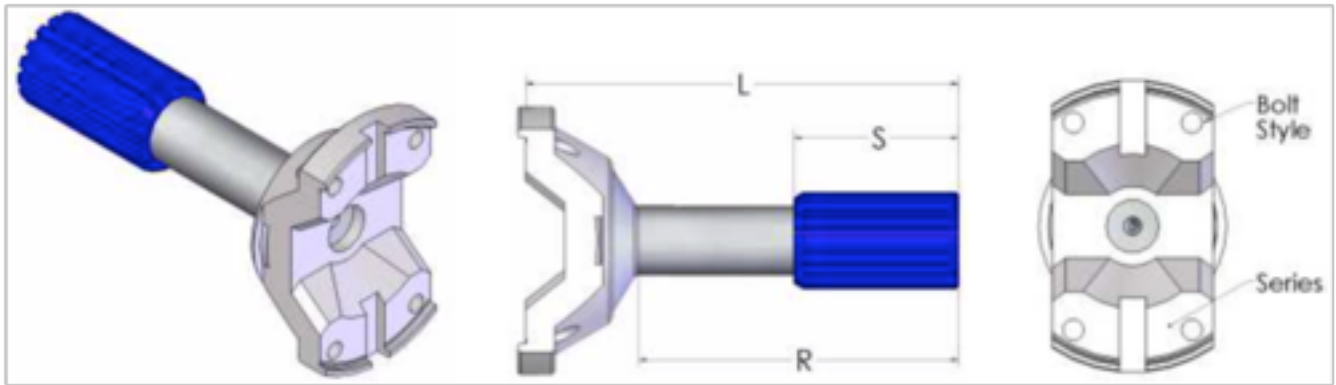
DS Part#	Ref. or similar	Joint series	Radius (R)	Spline (s)	Length (L)
DS-5C-68-12950	5C-68-12950	5C	6	3	9.688
DS-6C-68-14020	6C-68-14020	6C	7.5	2.25	9.44
DS-6C-68-13040	6C-68-13040	6C	6.125	3	5.938
DS-6C-68-8050	6C-68-8050	6C	8.5	3	10.25
DS-6C-68-0224	6C-68-0224	6C	8.5	3	10.25
DS-6C-5571J	6C-5571J	6C	3.938	2.5	5.563
DS-6C-68-11850	6C-68-11850	6C	3.938	2.5	5.563
DS-6C-68-16180	6C-68-16180	6C	3.563	3.563	5.875
DS-6C-68-8970	6C-68-8970	6C	5.063	5.063	7.375
DS-6C-68-0820	6C-68-0820	6C	6.5	3	8.25
DS-6C-68-7950	6C-68-7950	6C	7.438	3	9.188
DS-6C-68-4760	6C-68-4760	6C	7.781	3	9.531
DS-6C-68-10900	6C-68-10900	6C	5.844	3	9.875
DS-6C-68-14640	6C-68-14640	6C	3.69	2.25	5.313
DS-6C-68-8690	6C-68-8690	6C	4.63	3	6.38
DS-6C-28277J	6C-28277J	6C	3	1.25	4.625
DS-6C-68-4951	6C-68-4951	6C	3.563	2.25	5.188
DS-6C-25999J	6C-25999J	6C	3.625	2.125	5.25
DS-6C-28357J	6C-28357J	6C	4	2.25	5.625
DS-6C-22938J	6C-22938J	6C	4.313	1.86	5.938
DS-6C-23523J	6C-23523J	6C	4.625	2.5	6.25
DS-6C-68-4952	6C-68-4952	6C	6.188	3	7.938
DS-6C-68-2830	6C-68-2830	6C	6	3	8.188
DS-6C-68-4950	6C-68-4950	6C	6.625	3	8.375
DS-6C-68-2488	6C-68-2488	6C	7.781	3	9.531
DS-7C-68-8090	7C-68-8090	6C	6.563	2.5	8.75
DS-7C-68-0600	7C-68-0600	7C	3.5	2	5.44
DS-7C-37141	7C-37141	7C	8.375	4	10.66
DS-7C-68-16120	7C-68-16120	7C	7.125	3.5	11.125
DS-7C-68-5270	7C-68-5270	7C	9.813	9.813	11.562
DS-7C-26243J	7C-26243J	7C	9.813	4	11.563

wing bearing spline yoke/yoke shaft



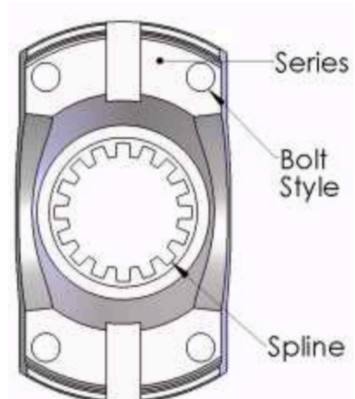
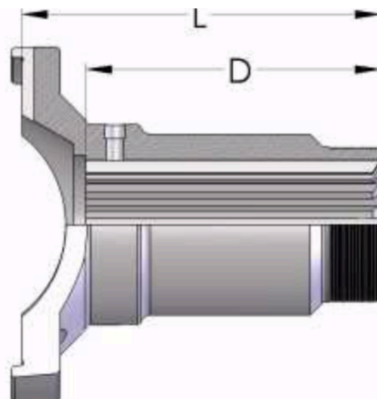
DS Part#	Ref. or similar	Unit series	Radius (R)	Spline (s)	Length (L)
DS-7C-68-7120	7C-68-7120	7C	14.5	14.5	18
DS-7C-68-15120	7C-68-15120	7C	3	3	4.875
DS-7C-68-12890	7C-68-12890	7C	3.188	2.813	5.438
DS-7C-37145	7C-37145	7C	3.5	3.5	5.438
DS-7C-68-7320	7C-68-7320	7C	3.375	3	5.625
DS-7C-68-6290	7C-68-6290	7C	3.688	3.688	5.625
DS-7C-68-12800	7C-68-12800	7C	4.563	2.75	6.313
DS-7C-12412J	7C-12412J	7C	4.938	2.906	6.688
DS-7C-5505J	7C-5505J	7C	5.25	2.844	7
DS-7C-26040J	7C-26040J	7C	5.938	3.031	7.688
DS-7C-68-13820	7C-68-13820	7C	6.5	2.313	8.25
DS-7C-29052J	7C-29052J	7C	6.938	2.75	8.688
DS-7C-29053J	7C-29053J	7C	6.938	2.75	8.688
DS-7C-68-14460	7C-68-14460	7C	9.13	3.5	11.125
DS-7C-27865J	7C-27865J	7C	8.875	4	10.625
DS-7C-68-12860	7C-68-12860	7C	7.656	3.5	11.438
DS-7C-68-10870	7C-68-10870	7C	3.875	2.25	5.625
DS-7C-29491J	7C-29491J	7C	3.875	2.25	5.625
DS-7C-68-13560	7C-68-13560	7C	4.5	2.156	6.094
DS-7C-25518J	7C-25518J	7C	5.156	2.969	6.906
DS-7C-26731J	7C-26731J	7C	5.313	2.969	6.906
DS-7C-27570J	7C-27570J	7C	5.625	3.25	7.375
DS-7C-27123J	7C-27123J	7C	6.125	3.75	7.875
DS-7C-27572J	7C-27572J	7C	7.688	4	9.438
DS-7C-R93529	7C-R93529	7C	4.063	1.98	6.73
DS-8C-82NYSM40-49	8C-82NYSM40-49	8C	6.64	3.563	9.812
DS-8C-68-11160	8C-68-11160	8C	9.563	3.5	13.625
DS-8C-68-15190	8C-68-15190	8C	3.134	3.134	5.205
DS-8.5C-68-12670	8.5C-68-12670	8.5C	7.375	4	11
DS-8.5C-68-12520	8.5C-68-12520	8.5C	7.375	4	11.75

wing bearing spline yoke/yoke shaft



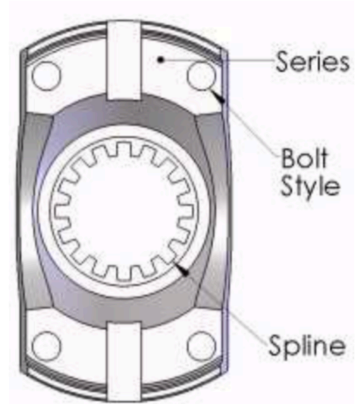
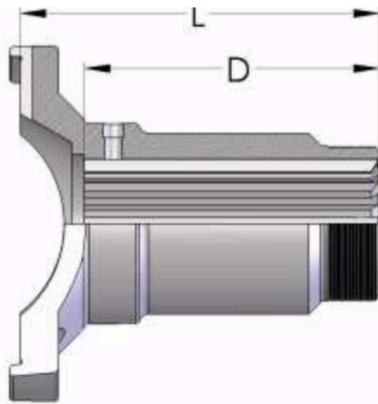
DS Part#	Ref. or similar	Joint series	Radius (R)	Spline (s)	Length (L)
DS-8.5C-68-4720	8.5C-68-4720	8.5C	4.563	4.563	7.063
DS-8.5C-68-8150	8.5C-68-8150	8.5C	6.313	6.313	8.5
DS-8.5C-68-11320	8.5C-68-11320	8.5C	8.375	4	11.188
DS-8.5C-68-7390	8.5C-68-7390	8.5C	8.375	4	11.438
DS-8.5C-68-7370	8.5C-68-7370	8.5C	8.375	4	12.125
DS-8.5C-68-8830	8.5C-68-8830	8.5C	5.25	4	8.313
DS-9C-68-9240	9C-68-9240	9C	8.25	4	11.437
DS-9C-68-9520	9C-68-9520	9C	5.875	5.875	7.375
DS-9C-68-15460	9C-68-15460	9C	6.125	6.125	9.5
DS-9C-68-8730	9C-68-8730	9C	7.906	4	10.875
DS-9C-68-6160	9C-68-6160	9C	8.406	4.5	12.344
DS-9C-68-5420	9C-68-5420	9C	10.031	4.5	14.125

wing bearing slip yokes



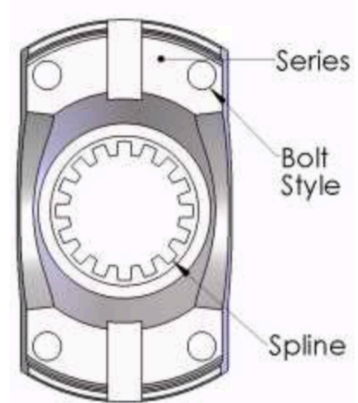
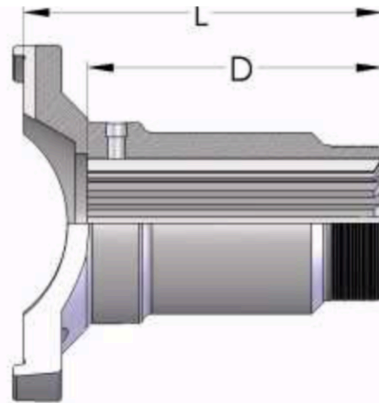
DS Part#	Ref. (Or Similar)	Series	Spline	Length(L)	Thru (D)
DS-2C-66-1240-1	2C-66-1240-1	2C	1.25-10	2.25	2.19
DS-2C-6-2041	2C-6-2041	2C	1.18-15	4.44	4.06
DS-2C-6-2002	2C-6-2002	2C	1.18-16	1.81	1.69
DS-3C-6-3033	3C-6-3033	3C	1.25-16	2.63	2.56
DS-3C-6-3000	3C-6-3000	3C	1.25-10	4.28	4.06
DS-4C-66-12220	4C-66-12220	4C	1.37-16	4.75	3.81
DS-4C-66-14160	4C-66-14160	4C	1.37-16	4.75	3.81
DS-4C-6-4041	4C-6-4041	4C	1.37-10	4.75	3.81
DS-4C-6-4079	4C-6-4079	4C	1.37-16	3.75	3.06
DS-4C-6-4090	4C-6-4090	4C	1.37-16	5.63	5
DS-4C-6-4095	4C-6-4095	4C	1.37-16	5.63	5
DS-4C-6-4011	4C-6-4011	4C	1.37-10	3.19	2.91
DS-4C-66-8860	4C-66-8860	4C	1.37-10	3.27	3
DS-4C-6-4000	4C-6-4000	4C	1.37-10	4.75	4.48
DS-4C-6-4064	4C-6-4064	4C	1.37-10	4.75	4.29
DS-5C-6-5122	5C-6-5122	5C	1.56-16	3.63	3
DS-5C-66-5660	5C-66-5660	5C	1.56-16	4.66	4.28
DS-5C-66-5119SP	5C-66-5119SP	5C	1.56-16	5.38	5
DS-5C-6-5119	5C-6-5119	5C	1.56-16	5.63	5
DS-5C-66-9140	5C-66-9140	5C	1.56-16	3.25	2.88
DS-5C-6-5120	5C-6-5120	5C	1.56-16	3.63	3
DS-5C-66-12720	5C-66-12720	5C	1.56-16	3.94	3.56
DS-5C-66-13670	5C-66-13670	5C	1.56-16	4.38	4
DS-5C-66-13260	5C-66-13260	5C	1.56-16	5.09	4.72
DS-5C-66-5118SP	5C-66-5118SP	5C	1.56-16	5.38	5
DS-5C-6-5118	5C-6-5118	5C	1.56-16	5.63	5
DS-5C-66-7140	5C-66-7140	5C	1.50-10	3.25	2.88
DS-5C-6-5009	5C-6-5009	5C	1.50-10	3.63	3.25
DS-5C-6-5000	5C-6-5000	5C	1.50-10	5.38	5
DS-5C-6-5007	5C-6-5007	5C	1.50-10	6.63	6.06
DS-5C-66-14650	5C-66-14650	5C	1.50-10	5.06	3.99

wing bearing slip yokes



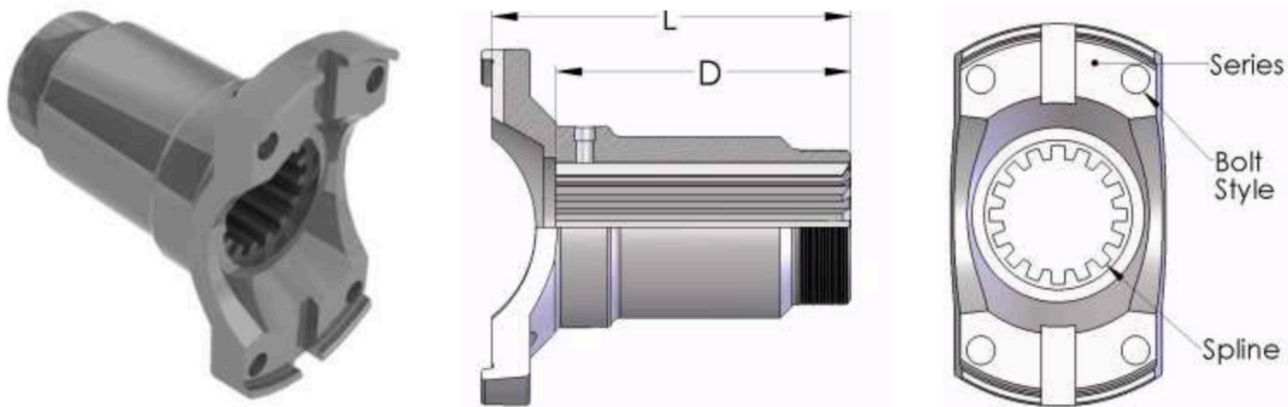
DS Part#	Ref. (Or Similar)	Joint series	Spline	Length(L)	Thru (D)
DS-5C-66-2550	5C-66-2550	5C	1.50-10	3.25	2.88
DS-5C-6-5036	5C-6-5036	5C	1.50-10	5.38	5
DS-6C-6-6129	6C-6-6129	6C	1.75-16	4	3.31
DS-6C-6-6097	6C-6-6097	6C	1.75-16	4	3.63
DS-6C-66-5230	6C-66-5230	6C	1.75-16	4.44	4.13
DS-6C-66-8690	6C-66-8690	6C	1.75-16	5.25	4.38
DS-6C-6-6164	6C-6-6164	6C	1.75-16	5.63	4.75
DS-6C-6-6151	6C-6-6151	6C	1.75-16	5.63	5.25
DS-6C-6-6160	6C-6-6160	6C	1.75-16	6.13	5.25
DS-6C-66-13210	6C-66-13210	6C	1.75-16	7.13	5.81
DS-6C-6-6047	6C-6-6047	6C	1.75-16	9.5	8
DS-6C-66-14640	6C-66-14640	6C	1.75-16	3.75	2.63
DS-6C-6-6176	6C-6-6176	6C	1.75-16	4.13	3.25
DS-6C-6-6140	6C-6-6140	6C	1.75-16	5.63	5.25
DS-6C-6-6163	6C-6-6163	6C	1.75-16	6.13	5.25
DS-6C-6-6177	6C-6-6177	6C	1.75-16	8.88	8
DS-6C-6-6180	6C-6-6180	6C	1.75-16	9.5	8
DS-6C-6-6173	6C-6-6173	6C	1.75-16	3.12	1.87
DS-6C-66-14600	6C-66-14600	6C	1.75-16	3.51	2.26
DS-6C-66-16210	6C-66-16210	6C	1.75-16	9.5	7.12
DS-6C-6-6161	6C-6-6161	6C	1.75-16	7.38	5.5
DS-6C-6-6049	6C-6-6049	6C	1.75-10	3.25	2.88
DS-6C-6-6010	6C-6-6010	6C	1.75-10	3.75	3.38
DS-6C-6-6078	6C-6-6078	6C	1.75-10	4.13	3.75
DS-6C-66-13470	6C-66-13470	6C	1.75-10	4.88	4.56
DS-6C-66-2280	6C-66-2280	6C	1.75-10	5.63	4.75
DS-6C-8050725	6C-8050725	6C	1.75-10	5.63	5
DS-6C-6-6000	6C-6-6000	6C	1.75-10	5.63	5.25

wing bearing slip yokes



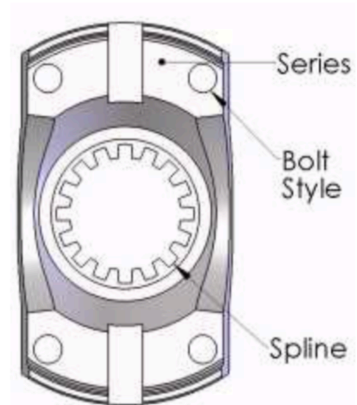
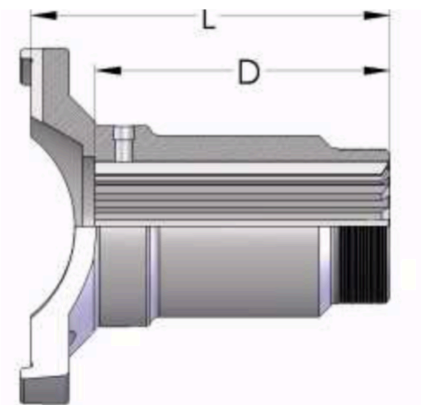
DS Part#	Ref. (Or Similar)	Series	Spline	Length(L)	Thru (D)
DS-6C-6-6007	6C-6-6007	6C	1.75-10	7.38	6.81
DS-6C-66-16660	6C-66-16660	6C	1.75-10	5.63	4.31
DS-6C-66-12820	6C-66-12820	6C	1.75-10	4.13	3.75
DS-6C-6-6136	6C-6-6136	6C	1.75-10	5.63	5.25
DS-72NLS40-7DC	72NLS40-7DC	7C	2.50-16	3.88	3.56
DS-7C-66-9850	7C-66-9850	7C	2.00-16	10.25	8.63
DS-7C-66-12550	7C-66-12550	7C	2.00-16	10.88	9.25
DS-7C-66-15440	7C-66-15440	7C	2.00-16	9	7.38
DS-72NLS32-20	72NLS32-20	7C	2.00-16	10.88	9.25
DS-72NLS32-129	72NLS32-129	7C	2.00-16	12.19	10.56
DS-7C-66-10870	7C-66-10870	7C	2.00-16	4.5	3.5
DS-7C-66-13560	7C-66-13560	7C	2.00-16	4.72	4.16
DS-7C-6-7141	7C-6-7141	7C	2.00-16	5	4.44
DS-7C-6-7180	7C-6-7180	7C	2.00-16	5.13	4.5
DS-72NLS32-4DC	72NLS32-4DC	7C	2.00-16	5.31	4.77
DS-7C-66-8330	7C-66-8330	7C	2.00-16	7.06	6.5
DS-7C-66-9890	7C-66-9890	7C	2.00-16	7.13	5.75
DS-7C-6-7179	7C-6-7179	7C	2.00-16	7.13	6.5
DS-7C-66-15110	7C-66-15110	7C	2.00-16	5.13	3.75
DS-7C-6-7099	7C-6-7099	7C	2.00-16	10.88	9.5
DS-7C-66-13940	7C-66-13940	7C	2.00-16	4.25	3.67
DS-7C-66-8280	7C-66-8280	7C	2.00-16	4.5	3.5
DS-7C-6-7175	7C-6-7175	7C	2.00-16	5.88	5.25
DS-7C-66-9060	7C-66-9060	7C	2.00-16	7.13	5.75
DS-7C-6-7177	7C-6-7177	7C	2.00-16	7.13	6.5
DS-7C-66-8840	7C-66-8840	7C	2.00-16	9.69	8.31
DS-7C-66-14500	7C-66-14500	7C	2.00-15	4	2.75
DS-7C-66-6290	7C-66-6290	7C	2.00-10	4.19	3.19
DS-7C-66-8870	7C-66-8870	7C	2.00-10	4.5	3.97
DS-72NLS32-13DC	72NLS32-13DC	7C	2.00-10	4.94	4.31

wing bearing slip yokes



DS Part#	Ref. (Or Similar)	Joint series	Spline	Length(L)	Thru (D)
DS-7C-6-7005	7C-6-7005	7C	2.00-10	5.13	4.56
DS-7C-6-7004	7C-6-7004	7C	2.00-10	5.88	5.31
DS-7C-6-7000	7C-6-7000	7C	2.00-10	7.06	6.5
DS-7C-66-13810	7C-66-13810	7C	2.00-10	7.13	5.75
DS-72NLS32-27DC	72NLS32-27DC	7C	2.00-10	8.56	8
DS-7C-6-7075	7C-6-7075	7C	2.00-10	9.13	7.75
DS-7C-37144	7C-37144	7C	2.00-10	3.56	3
DS-7C-66-12800	7C-66-12800	7C	2.00-10	4.31	3.75
DS-72NLS40-8DC	72NLS40-8DC	7C	2.50-16	5.31	4.77
DS-7C-6-7029	7C-6-7029	7C	2.00-10	7.06	6.5
DS-7C-6-7080	7C-6-7080	7C	2.00-10	9.13	7.75
DS-7C-61-9810	7C-61-9810	7C	1.75-13	4	2.75
DS-7C-66-11030	7C-66-11030	7C	1.75-10	6.72	6.16
DS-8C-66-15190	8C-66-15190	8C	3.00-10	3.69	2.56
DS-8C-6-8073	8C-6-8073	8C	2.50-16	8.63	7.5
DS-82NLS40-83DC	82NLS40-83DC	8C	2.50-16	8.63	7.56
DS-82NLS40-85DC	82NLS40-85DC	8C	2.50-16	9.75	8.63
DS-8C-6-8076	8C-6-8076	8C	2.50-16	8.63	7.5
DS-8C-6-8002	8C-6-8002	8C	2.50-10	8	7.5
DS-82NLS40-2DC	82NLS40-2DC	8C	2.50-10	8	7.56
DS-8C-6-8021	8C-6-8021	8C	2.50-10	8	7.5
DS-82NLS40-1DC	82NLS40-1DC	8C	2.50-10	8	7.56
DS-82NLS40-26DC	82NLS40-26DC	8C	2.50-10	9.75	8.63
DS-8.5C-66-8150	8.5C-66-8150	8.5C	2.50-16	5.94	5.69
DS-8.5C-66-8830	8.5C-66-8830	8.5C	2.50-16	6.38	5
DS-8.5C-66-7370	8.5C-66-7370	8.5C	2.50-16	8.5	7.13
DS-8.5C-85WBLS40-3DC	8.5C-85WBLS40-3DC	8.5C	2.50-16	8.5	7.88
DS-8.5C-6-8525	8.5C-6-8525	8.5C	2.50-16	8.63	7.5
DS-8.5C-6-8503	8.5C-6-8503	8.5C	2.50-10	8.19	7.94
DS-8.5C-66-4720	8.5C-66-4720	8.5C	2.50-10	4.69	3.06

wing bearing slip yokes



DS Part#	Ref. (Or Similar)	Joint series	Spline	Length(L)	Thru (D)
DS-9C-66-8730	9C-66-8730	9C	3.00-16	8.75	7.63
DS-9C-6-9033	9C-6-9033	9C	3.00-16	9.63	8.38
DS-92NLS48-47DC	92NLS48-47DC	9C	3.00-16	9.63	8.5
DS-9C-66-15460	9C-66-15460	9C	3.00-10	6.13	5.13
DS-9C-6-9001	9C-6-9001	9C	3.00-10	9.63	8.38
DS-92NLS48DC	92NLS48DC	9C	3.00-10	9.63	8.5
DS-9C-66-9520	9C-66-9520	9C	3.00-10	5.75	4.75
DS-9C-61-16710	9C-61-16710	9C	2.33-36	5.16	3.31





































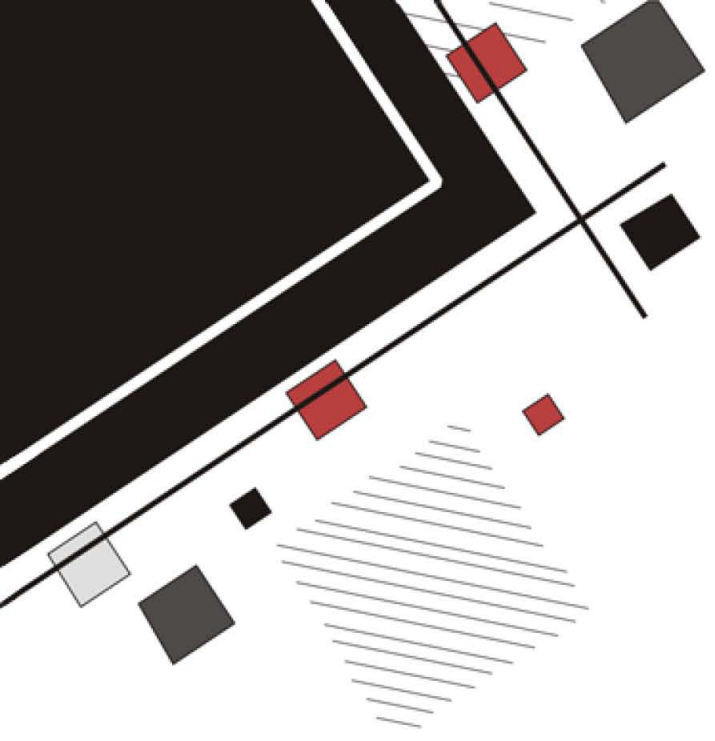












Tel: 86-13758111671  
Fax: 86-571-82519588  
Web: [www.cntison.com](http://www.cntison.com)  
Add: Xiaoshan, hangzhou, China



WECHAT  
SCAN